

## RFID ANIMAL TAGS

### Model:INNO-AMTAG-75100

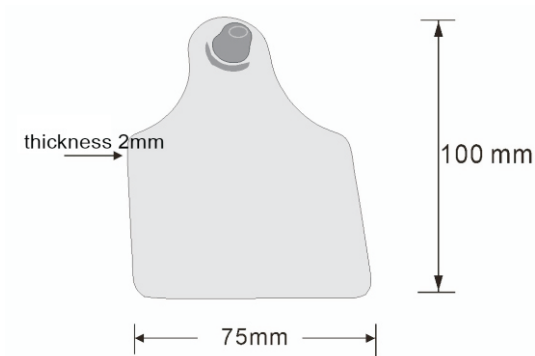


#### ►... Profile

This RFID Animal Tag is packaged in a rugged TPU plastic shell, and developed with customized, very small sized antenna and chip, can be installed on cattle ears for smart management of rearing

#### ►... Key Features:

- Yellow TPU material, customized colors available
- Price competitive with all other tags technologies.
- Rust-resistant in wet and chemical environment
- Customized shapes, sizes and pre-printed artworks available
- Easy to stall



#### ►... Specification:

<b>Material</b>	TPU
<b>Size</b>	75*100mm
<b>Thickness</b>	2mm
<b>Color</b>	Yellow (color customized available)
<b>Available crafts</b>	silk-screen, laser engraving, etc.
<b>Frequency</b>	125Khz / 13.56Mhz / 860-960Mhz
<b>Available chips</b>	EM (125Khz): TK4100, EM4200, EM4305, T5577, etc. MF (13.56Mhz): Mifare S50/S70, FM11R08/ UltralightEV1/Ultralight C/Ntag213/215/216, NXP Mifare desfireEV1 2K/4K/8K, etc.) UHF(860-960Mhz): Alien H3/H9, NXP U8/U9, etc.

<b>Read/Write range</b>	EM/MF: 1-10CM UHF: 1-8M
<b>Working Temperature</b>	-20 °C ~ 80 °C
<b>Gross weight</b>	18.5g
<b>Package</b>	100pcs/pack, 500pcs/box, 1000pcs/carton
<b>Carton size</b>	52*24.5*32cm