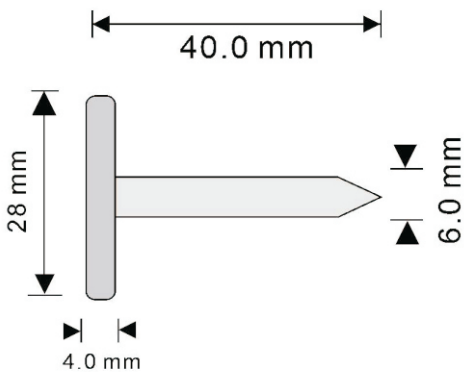


RFID NAIL TAGS

Model:INNO-NLTAG-2840



►... Profile

This RFID Nail Tag is packaged in a rugged ABS plastic shell, and developed with customized, very small sized antenna and chip in real nail shape, can be nailed into any type of trees and wood, suitable for any kind of pallets, cement products; it is rust-resistant in wet and chemical environment; mostly used in trees management and asset management.

►... Key Features:

- Black ABS material, customized colors available
- Price competitive with all other tags technologies
- Rust-resistant in wet and chemical environment
- Customized shapes, sizes and pre-printed artworks available
- Easy to install, especially in trees management

►... Specification:

Material	ABS
Size	28*40mm
Head	Φ6mm
Color	Black
Available crafts	silk-screen, laser engraving, etc.
Available chips	EM (125Khz): TK4100, EM4200, EM4305, T5577, etc. MF (13.56Mhz): Mifare S50/S70, FM11R08/ UltralightEV1/Ultralight C/Ntag213/215/216, NXP Mifare desfireEV1 2K/4K/8K, etc.)

Frequency	125Khz / 13.56Mhz
Read/Write range	1-10CM
Working Temperature	-30 °C ~ 80 °C
Gross weight	3g
Package	100pcs/pack, 500pcs/box, 1000pcs/carton
Carton size	52*24.5*32cm