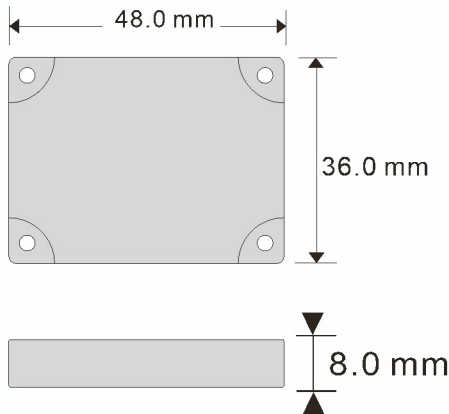
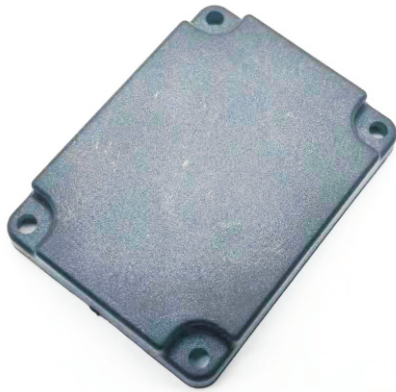


HIGH TEMP ON-METAL TAG



Model:INNO-MTTAG-HT4836

►... Profile

This tag is made of high temperature resistant plastic & ceramic material, which is resistant to weak acids & bases, and can be waterproof; developed with customized UHF antenna, good performance with metal surface installation. Mainly used in industry equipment manufacturing, automobile manufacturing, production line process management, etc.

►... Key Features:

- High temperature resistant
- Weak acids & bases resistant
- On-metal installation
- External number for easy identification and access control.
- Customized shapes, sizes and pre-printed artworks available

►... Specification:

Tag Type:	High Temp On-Metal UHF Tag
Material:	PPS
Color:	Black (customized available)
Dimensions:	48x36mm (Hole: Φ3mmx4)
Thickness:	8mm
Chips:	Alien H3/H9, NXP U8/U9, etc.
Protocol:	EPC Class1 Gen2, ISO18000-6C
Operating Frequency:	860-960Mhz
Read Range:	1-15m
Data storage:	up to 20 years
Re-write:	100,000 times

Warranty:	1 year
IP Rating:	Ip67
Operating Temp:	-50°C to +200°C
Attachment Method:	Rivets, screws, or double-sided tape that can withstand the installation environment or super glue
Reliability testing terms and results:	a. High and low temperature alternating tests. b. Passed the 95% alcohol test. c. No. 92 gasoline wipe passed. d. Material passed SGS certification e. Passed Ultrasonic cleaning test f. IP67
Gross Weight:	20g