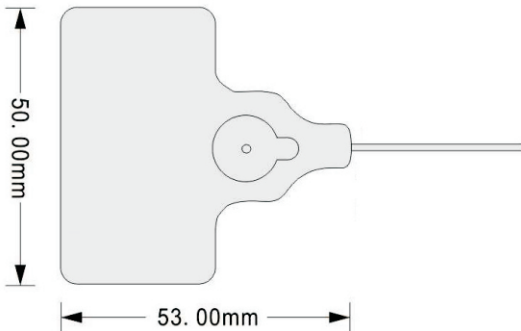


## CUSTOMIZED LEAD SEAL TAG

### Model:INNO-SLTAG-UHF5350



#### ►... Profile

This tag is made of ABS and Steel wire material, developed with customized UHF antenna, good performance and safe with steel wire installation. Widely used in containers management and logistics tracking management.

#### ►... Key Features:

- Rugged tag for harsh environment
- Steel wire installation with great safety
- High sensitivity for both reading and writing
- Waterproof and sunshine proof
- External number for easy identification and access control.

#### ►... Specification:

<b>Tag Type:</b>	RFID Lead Seal Tag
<b>Material:</b>	ABS+1.5*280 Steel wire
<b>Color:</b>	Red, Yellow (customized available)
<b>Dimensions:</b>	53*50mm (Wire with 280mm)
<b>Thickness:</b>	5mm
<b>Chips:</b>	Alien H3/H9, NXP U8/U9, Impinj M730, etc.
<b>Protocol:</b>	EPC Class1 Gen2, ISO18000-6C
<b>Operating Frequency:</b>	860-960Mhz

<b>Read Range (Fix Reader):</b>	1~15m on metal (may change based on different readers and environment)
<b>Data storage:</b>	up to 10 years
<b>Re-write:</b>	100,000 times
<b>Warranty:</b>	1 year
<b>Operating Temp:</b>	-30°C to +85°C
<b>Weight:</b>	8.5g