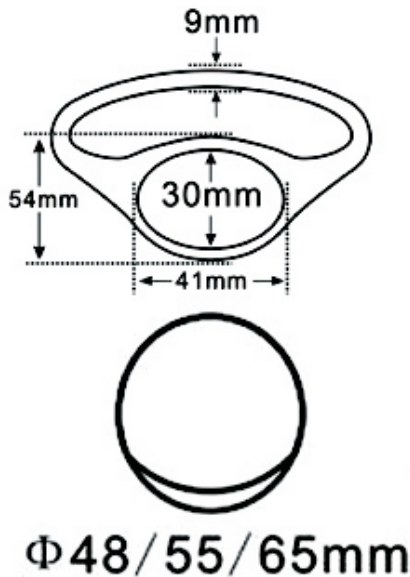


## RFID SILICON WRISTBAND



### Model:INNO-WB-SI03

#### ►... Profile

This wristband is made of silicon and developed based on passive RFID Technology of EM (125Khz), MF (13.56Mhz) and UHF (860-960Mhz), which support ISO14443A, ISO/IEC15693 and ISO18000-6C/EPC Gen2 protocol. Flexible, waterproof silicone material makes it comfortable and durable for long lasting use and highest durability for most challenging activities. Widely used for parking and Payment, Club/SPA Membership Management, Rewards and Promotion system and access control, etc.

#### ►... Key Features:

- Qualified silicon material makes it environmental friendly
- Flexible feature make it comfortable for large range of people
- External number for easy identification and access control
- Customized logo, sizes and colors available

#### ►... Specification:

Physical specification	
<b>Material</b>	Silicon
<b>Size</b>	Φ48mm, φ55mm,φ65mm (customized size available)
<b>Color</b>	Red, Blue, Yellow (customized color available)
<b>Available Crafts</b>	silk-screen, Logo printing, number printing (inkjet printing or laser engraving), etc.
Performance Specification	
<b>Frequency</b>	125Khz / 13.56Mhz / 860-960Mhz
<b>Available chips</b>	EM (125Khz): TK4100, EM4200, EM4305, T5577, etc. MF (13.56Mhz): Mifare S50/S70,FM11R08/ UltralightEV1/Ultralight C/Ntag213/215/216, NXP Mifare desfireEV1 2K/4K/8K, etc.) UHF (860-960MHz): Alien H3/H9, NXP U8/U9, etc.
<b>Protocol</b>	EM (125Khz): 1-10CM MF (13.56Mhz): 1-10CM UHF (860-960Mhz): 1-15M

#### Environmental Specification

<b>Working Temperature</b>	-20°C~85°C
<b>Storage Temperature</b>	-25°C~85°C

#### Performance specification

#### Packing details

<b>Gross weight</b>	0.021kgs/pcs
<b>Package</b>	100pcs/pack, 1000pcs/carton
<b>Carton size</b>	52*24.5*32cm