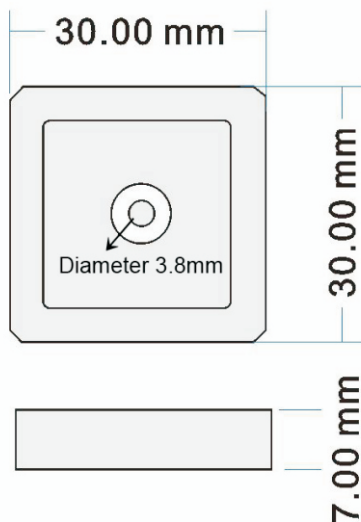


CUSTOMIZED CHECKPOINT TAGS



Model:INNO-CKPTAG-EM3030

►... Profile

This RFID tag is packaged with ABS material and developed customized, very small sized antenna and chip. Since its small size, mainly 125 KHz and 13.56 MHz frequency available for these tags, widely used for payment, checkpoint, transportation, access control, etc.

►... Key Features:

- Black ABS material, customized colors available
- Price competitive with all other card technologies.
- External number for easy identification and access control.
- Customized shapes, sizes and pre-printed artworks available
- Multiple installation method available

►... Specification:

| | |
|-------------------------|---|
| Material | ABS |
| Size | 30*30mm (customized size available) |
| Thickness | 7mm |
| Color | Black (customized available) |
| Available crafts | silk-screen, spray code, number printing (inkjet printing or laser engraving), etc. |
| Frequency | 125Khz / 13.56Mhz |
| Available chips | EM (125Khz): TK4100, EM4200, EM4305, T5577, etc. MF (13.56Mhz): Mifare S50/S70, FM11R08/Ultralight EV1/Ultralight C/Ntag213/215/216, NXP Mifare desfireEV1 2K/4K/8K, etc.) |

| | |
|----------------------------|---|
| Read/Write range | 1-10CM |
| Working Temperature | -30 °C ~ 85°C |
| Gross weight | 5g |
| Package | 100pcs/pack, 500pcs/box, 1000pcs/carton |
| Carton size | 52*24.5*32cm |