

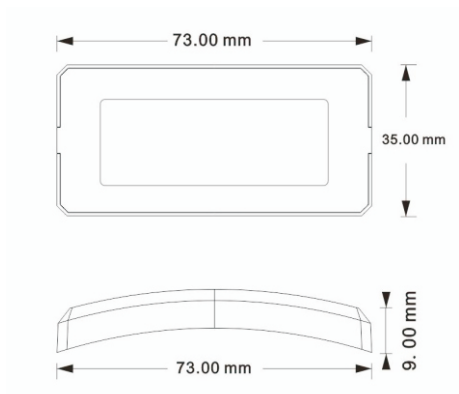
CUSTOMIZED CHECKPOINT TAGS



Model:INNO-CKPTAG-EM7335

►... Profile

This RFID tag is packaged with ABS material and developed customized, very small sized antenna and chip. Since it is small size, mainly 125 KHz and 13.56 MHz frequency available for these tags, widely used for payment, checkpoint, transportation, access control, etc.



►... Key Features:

- Black ABS material, customized colors available
- Price competitive with all other card technologies.
- External number for easy identification and access control.
- Customized shapes, sizes and pre-printed artworks available
- Multiple installation method available

►... Specification:

Material	ABS
Size	73*35mm/68*30MM (customized size available)
Thickness	9mm
Color	Black, Yellow (customized available)
Available crafts	silk-screen, spray code, number printing (inkjet printing or laser engraving), etc.
Frequency	125Khz / 13.56Mhz
Available chips	EM (125Khz): TK4100, EM4200, EM4305, T5577, etc. MF (13.56Mhz): Mifare S50/S70, FM11R08/ UltralightEV1/Ultralight C/Ntag213/215/216, NXP Mifare desfireEV1 2K/4K/8K, etc.)

Read/Write range	1-10CM
Working Temperature	-30 °C ~ 85°C
Gross weight	18g