

RFID ANIMAL TAGS

Model:INNO-AMTAG-7080

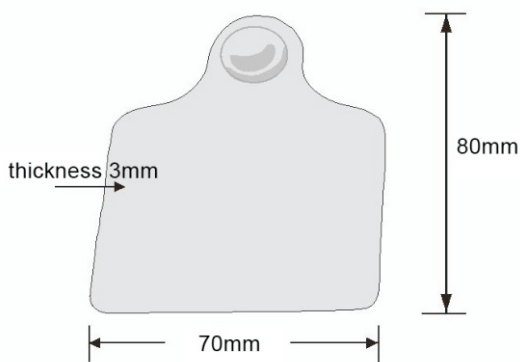


►... Profile

This RFID Animal Tag is packaged in a rugged TPU plastic shell, and developed with customized, very small sized antenna and chip, can be installed on cattle ears for smart management of rearing

►... Key Features:

- Yellow TPU material, customized colors available
- Price competitive with all other tags technologies.
- Rust-resistant in wet and chemical environment
- Customized shapes, sizes and pre-printed artworks available
- Safe and Easy to stall



►... Specification:

Material	TPU
Size	70*80*3mm
Color	Yellow (color customized available)
Available crafts	silk-screen, laser engraving, etc.
Available chips	EM (125Khz): TK4100, EM4200, EM4305, T5577, etc. MF (13.56Mhz): Mifare S50/S70, FM11R08/ UltralightEV1/Ultralight C/Ntag213/215/216, NXP Mifare desfireEV1 2K/4K/8K, etc.) UHF(860-960Mhz): Alien H3/H9, NXP U8/U9, etc.
Frequency	125Khz / 13.56Mhz / 860-960Mhz

Read/Write range	EM/MF: 1-10CM UHF: 1-8M
Working Temperature	-20 °C ~ 80 °C
Gross weight	16g
Package	100pcs/pack, 500pcs/box, 1000pcs/carton
Carton size	52*24.5*32cm