

RFID LAUNDRY TAGS

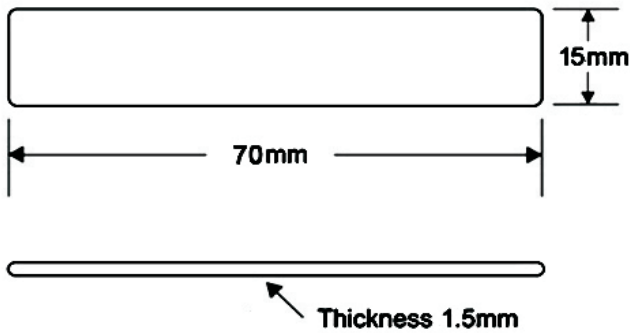
Model:INNO-LDTXT-7015

►... Profile

This RFID Laundry tag is MRI compatible and can resist 200 times of industrial washing cycle. The tag is sewed or heat sealed on each garment, linen and bedspread. With RFID management system, it can improve the inventory efficiency of hospital, garment, uniform and hotel linen management, and track the washing times and washing conditions of each garment

►... Key Features:

- Waterproof, shockproof
- High temperature resistance
- Soft and easy to mosaic or sewn in clothing products
- Personalization available
- Recycle and cost effective



►... Specification:

Tag Type:	RFID Laundry Tag
Material:	Textile
Color:	White
Dimensions:	70*15mm
Thickness:	1.5mm
Chips:	Alien H3/H9, NXP U8/U9, Impinj M730, etc.
Protocol:	EPC Class1 Gen2, ISO18000-6C
Operating Frequency:	860-960Mhz
Read Range (Fix Reader):	>2M (may change based different readers and environment)

Life time	200 wash recycles
Data storage:	up to 10 years
Re-write:	100,000 times
Warranty:	1 year
Mechanical Resistance	Up to 60 bars
Operating Temp:	1) Washing: 90°C(194°F), 15 minutes, 200 cycles 2) Pre-drying in Tumbler: 180°C(320°F), 30minutes 3) Ironer: 180°C(356°F), 10 seconds, 200 cycles 4) Sterilization Process: 135°C(275°F), 20 minutes
Weight:	0.7g