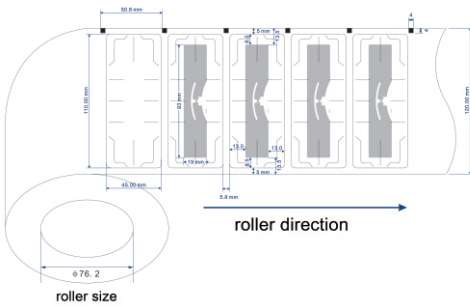
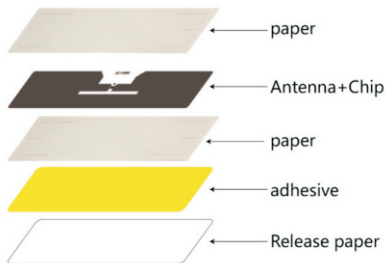


## PAPER WINDSHIELD TAGS



### Product Structure



## Model:INNO-TAG-UHF-WSPAPER

### ►... Profile

This windshield tag is made from PET+Paper material, which is tamper proof; working with frequency of 860-960 MHz and protocol of EPC C1G2/ISO18000-6C; targeted application is for vehicle identification and parking management

### ►... Key Features:

- Easy to install
- Long read range based on different readers
- Fast reading and access
- Tamper proof
- 3M adhesive for wide range of temperatures
- External number for easy identification and access control
- Customized shapes, sizes and pre-printed artworks available

### ►... Specification:

Basic parameters	
Type	Paper windshield tags
Frequency	860-960Mhz
Standard	EPC C1G2/ISO18000-6C
Physical parameters	
Size	110*45*0.39mm (Customized available)
Inlay Material	PET
Packaging Material	Paper
Performance Parameters	
Chip	Alien H3, H9, NXP U8, U9, etc
Operating Mode	R/ W
Read range	1-18M

Environmental parameters	
Operating Temp	-25°C ~ +75°C
Survival Temp	-40°C ~ +100°C
Specific applications	
Application	Vehicle identification and parking management
Packaging and Delivery	
Package	1000pcs/roll, or in single piece (customized available)