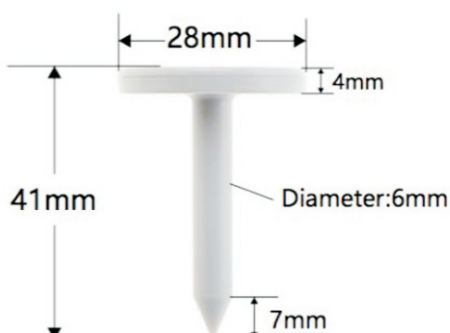


UHF NAIL TAGS

Model:INNO-NLTAG-UHF4128



►... Profile

This RFID Nail Tag is packaged in a rugged ABS plastic shell, and developed with customized, very small sized antenna and chip in real nail shape, can be nailed into any type of trees and wood, suitable for any kind of pallets, cement products; it is rust-resistant in wet and chemical environment; mostly used in trees management and asset management.

►... Key Features:

- Black/White ABS material, customized colors available
- Price competitive with all other tags technologies
- Rust-resistant in wet and chemical environment
- Customized shapes, sizes and pre-printed artworks available

►... Specification:

Material	ABS
Size	41*28mm
Head	Φ6mm
Color	Black/white
Available crafts	silk-screen, laser engraving, etc.
Frequency	860-960Mhz
Protocol	ISO18000-6C

Available chips	Alien H3/H9, NXP U8/U9
Read/Write range	1-5M
Working Temperature	-20°C~+60°C
Storage Temperature	-25 °C ~ 50 °C
Gross weight	9g
Package	100pcs/pack, 500pcs/box,1000pcs/carton
Carton size	52*24.5*32cm