

RFID TIE TAGS

Model:INNO-TIETAG-7530

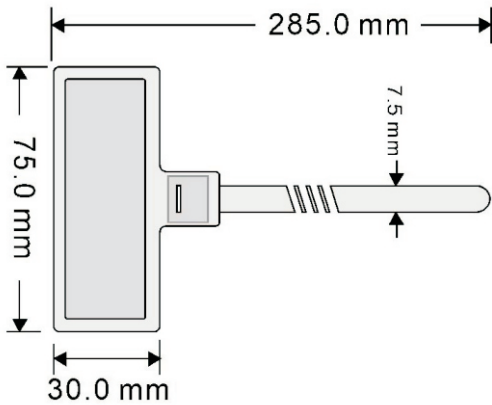


►... Profile

This RFID Tie Tag is packaged in a ABS plastic shell, and developed with customized sizes and shapes, can be widely used in logistics management, safety packing management, etc

►... Key Features:

- ABS material, customized colors available
- Price competitive with all other tags technologies
- Rust-resistant in wet and chemical environment
- Customized shapes, sizes and pre-printed artworks available
- Safe and easy to stall



►... Specification:

Material	ABS
Size	75*30*3.5mm
Color	Yellow, blue, green (color customized available)
Available crafts	silk-screen, laser engraving, etc
Available chips	EM (125Khz): TK4100, EM4200, EM4305, T5577, etc. MF (13.56Mhz): Mifare S50/S70,FM11R08/ UltralightEV1/Ultralight C/Ntag213/215/216, NXP Mifare desfireEV1 2K/4K/8K, etc.) UHF(860-960Mhz): Alien H3/H9, NXP U8/U9, etc.
Frequency	125Khz / 13.56Mhz / 860-960Mhz

Read/Write range	EM/MF: 1-10CM UHF: 1-5M
Working Temperature	-30 °C ~ 85 °C
Gross weight	11g