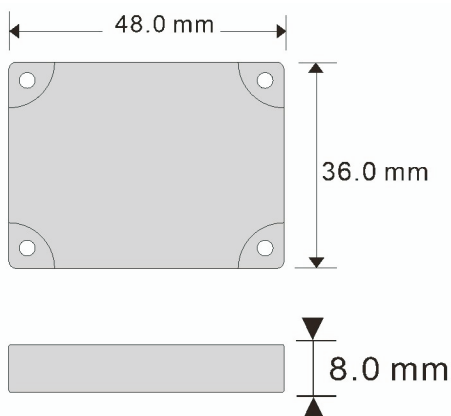
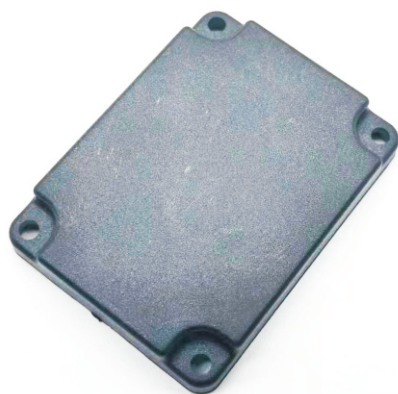


## HIGH TEMP ON-METAL TAG



### Model:INNO-MTTAG-HT4836

#### ►... Profile

This tag is made of high temperature resistant plastic & ceramic material, which is resistant to weak acids & bases, and can be waterproof; developed with customized UHF antenna, good performance with metal surface installation. Mainly used in industry equipment manufacturing, automobile manufacturing, production line process management, etc.

#### ►... Key Features:

- High temperature resistant
- Weak acids & bases resistant
- On-metal installation
- External number for easy identification and access control.
- Customized shapes, sizes and pre-printed artworks available

#### ►... Specification:

<b>Tag Type:</b>	High Temp On-Metal UHF Tag
<b>Material:</b>	PPS
<b>Color:</b>	Black (customized available)
<b>Dimensions:</b>	48x36mm (Hole: Φ3mmx4)
<b>Thickness:</b>	8mm
<b>Chips:</b>	Alien H3/H9, NXP U8/U9, etc.
<b>Protocol:</b>	EPC Class1 Gen2, ISO18000-6C
<b>Operating Frequency:</b>	860-960Mhz
<b>Read Range:</b>	1-15m
<b>Data storage:</b>	up to 20 years
<b>Re-write:</b>	100,000 times

<b>Warranty:</b>	1 year
<b>IP Rating:</b>	Ip67
<b>Operating Temp:</b>	-50°C to +200°C
<b>Attachment Method:</b>	Rivets, screws, or double-sided tape that can withstand the installation environment or super glue
<b>Reliability testing terms and results:</b>	a. High and low temperature alternating tests. b. Passed the 95% alcohol test. c. No. 92 gasoline wipe passed. d. Material passed SGS certification e. Passed Ultrasonic cleaning test f. IP67
<b>Gross Weight:</b>	20g