

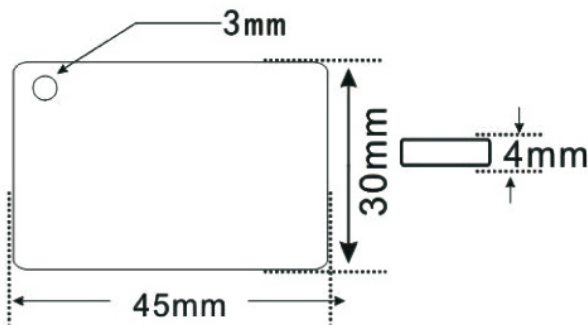
## CUSTOMIZED MIFARE EPOXY TAG



### Model:INNO-EPTAG-MF

#### ►... Profile

This epoxy tag is developed based on passive RFID Technology with high frequency of 13.56Mhz and Epoxy crafts, its special craft makes the designs very cute, with its solid and waterproof features, Epoxy tag is becoming more and more popular in the world. Widely used for payment and access control and Gym, etc.



#### ►... Key Features:

- Milk white PVC/PET material + Epoxy, makes finished tags very cute and lovely
- Looks higher-end qualified
- External number for easy identification and access control
- Customized shapes, sizes and pre-printed artworks available

#### ►... Specification:

##### Physical specification

<b>Material</b>	PVC/PET+ Epoxy
<b>Size</b>	50*30mm (customized size available)
<b>Thickness</b>	4mm
<b>Color</b>	Milk white (pre-printed and transparent available)
<b>Available Crafts</b>	silk-screen, spray code, number printing (inkjet printing or laser engraving), slot punch, metal ring/elastic roles installed, etc.

##### Performance Specification

<b>Frequency</b>	13.56Mhz
<b>Available chips</b>	Mifare S50/S70, FM11R08, UltralightEV1/Ultralight C, NXP Mifare Desfire EV1 2K/4K/8K, etc.
<b>Read/Write range</b>	1-10CM
<b>Protocol</b>	ISO 14443A

##### Environmental Specification

<b>Working Temperature</b>	-10 °C ~ 50 °C
<b>Storage Temperature</b>	-25 °C ~ 50 °C

##### Packing details

<b>Gross weight</b>	0.0065kgs/pcs
<b>Package</b>	100pcs/pack, 200pcs/box,5000pcs/carton
<b>Carton size</b>	52*24.5*32cm