

RFID LABELS

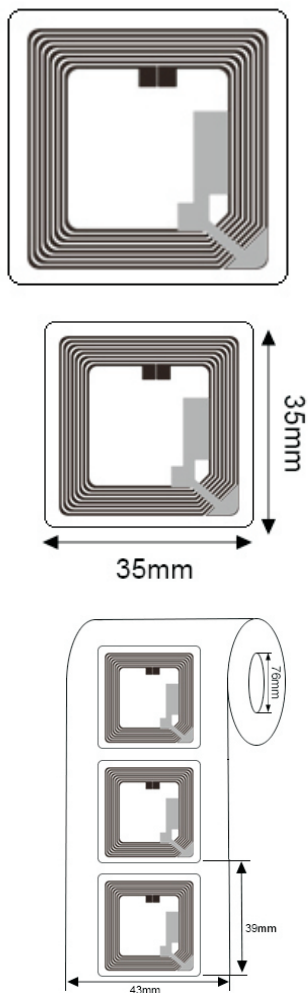
Model:INNO-LBNXP-MF1K3535

►... Profile

This is Mifare wet inlay/label with 32*32mm antenna, It is equipped with NXP Mifare Classic 1k, an integrated circuit (IC) designed to fully comply to ISO/IEC14443-A 1-3 specification, which is ideal for application in a very short distance (typically 10 cm or less), especially for solutions of access control, all-in-one card payment applications, etc.

►... Key Features:

- Square antenna design.
- ISO/IEC14443-A
- Ultra slim thickness, which is very suitable for stickers applications
- Customization available with paper label/or PVC card and epoxy tags, etc.
- Access control, all-in-one card payment applications



►... Specification:

Tag Type:	RFID Labels
Chip:	NXP MIFARE CLASSIC 1K
Memory:	1Kbytes
Material:	Coated paper, PET, PP
Color:	White, CMYK color available
Antenna dimension:	32*32mm
Label dimension:	35*35mm
Protocol:	ISO/IEC14443-A
Operating Frequency:	13.56Mhz
Read Range:	1-10mm (may change based different readers and environment)
Adhesive:	Permanent adhesive

Mounting Methods:	Self-Adhesive
Data storage:	up to 10 years
Re-write:	100,000 times
Warranty:	1 year
Operating Temp:	-40°C~+85°C
Weight:	0.02g
Core Inner Diameter:	76mm
Packing Detail:	3000pcs/roll
Printers supported:	ZEBRA: ZT400 Series, ZT600 Series, ZD500R, ZE500R, etc. SATO: CT4-LX Series, CL4NX, CL4NX Plus, CL6NX Plus, S84-ex,etc
Applications:	Ticket, Mobile payment management, etc.